



SYMMONS® Oxford®

Two Handle Widespread Lavatory Faucet SLW-4212

Installation and Service Instructions



Model Number

SLW-4212 Two Handle Lavatory faucet with pop-up drain

Tools & Materials



Need Help?

Contact Symmons customer service at (800) 796-6667, (781) 848-2250
Email: customerservice@symmons.com
Monday - Friday 7:30 am - 7:00 pm EST

Alternate Finish Code

append to part numbers when applicable

- STN Satin Nickel
- ORB Oil rubbed bronze
- Chrome (standard)

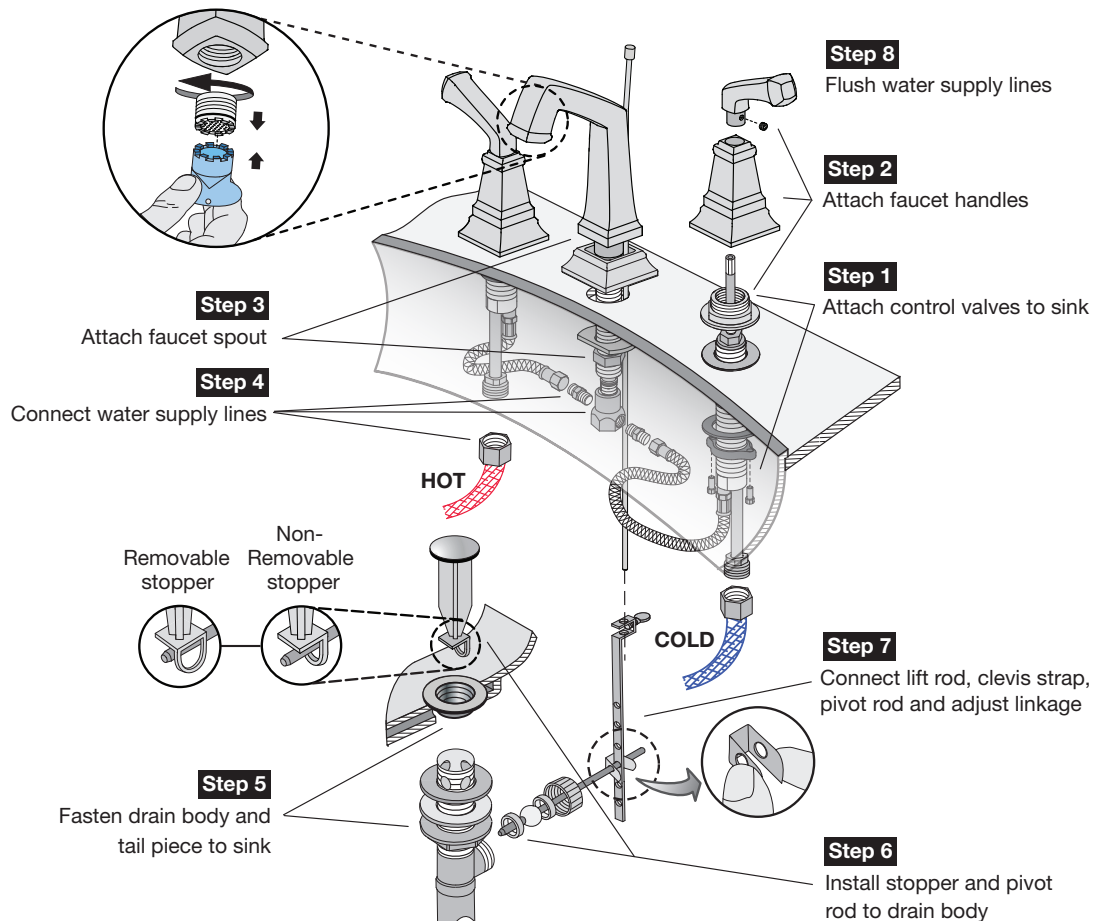
Compliance

- ASME A112.18.1/CSA B125.1
- NSF/ANSI 61.9, NSF/ANSI 372
- WaterSense 1.0 & 1.5 gpm



Please check Symmons website for technical help, the latest product information and warranty policy.
www.symmons.com/service

Quick Install Guide Oxford Two Handle Widespread Lavatory Faucet, SLW-4212



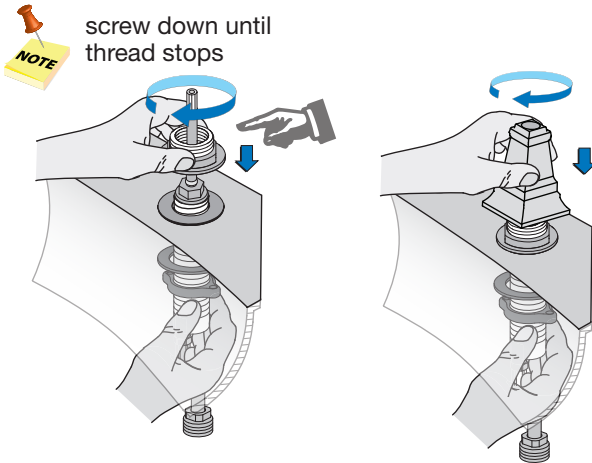
For California Residents

WARNING: This product contains chemicals known to the State of California to cause cancer, birth defects, or other reproductive harm.

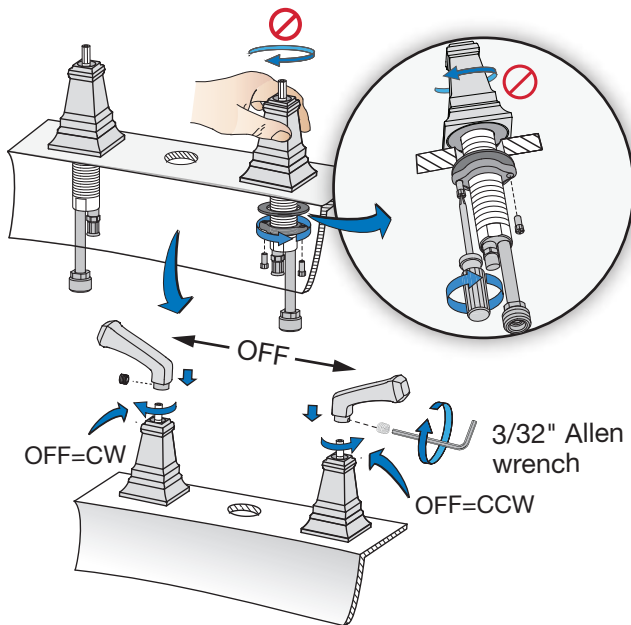
Installation Instructions

Caution: If replacing an older faucet ensure water supply is turned OFF before removing. Then open faucet valves to relieve water pressure.

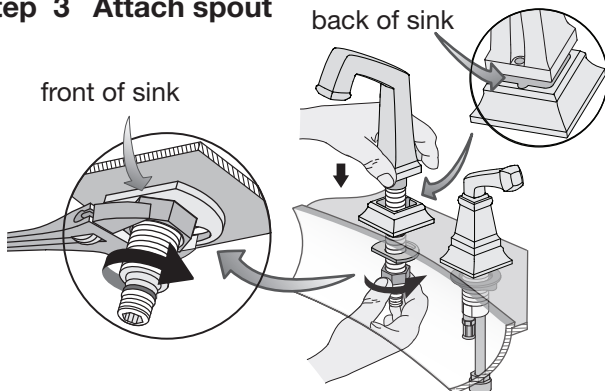
Step 1 Attach control valves



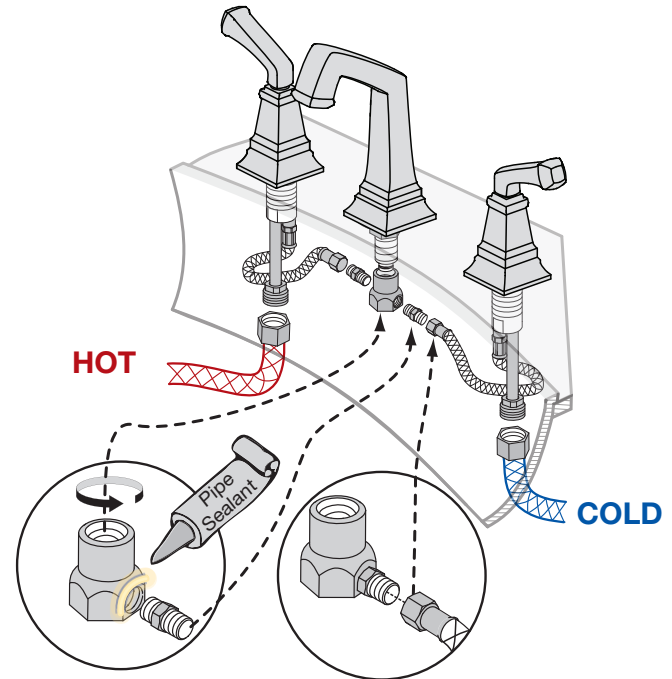
Step 2 Attach handles



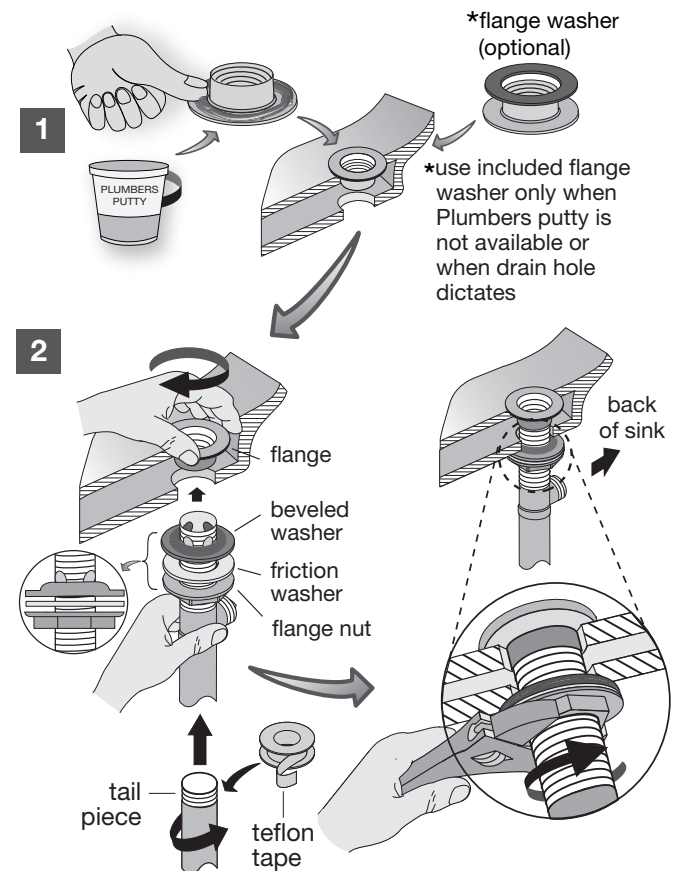
Step 3 Attach spout



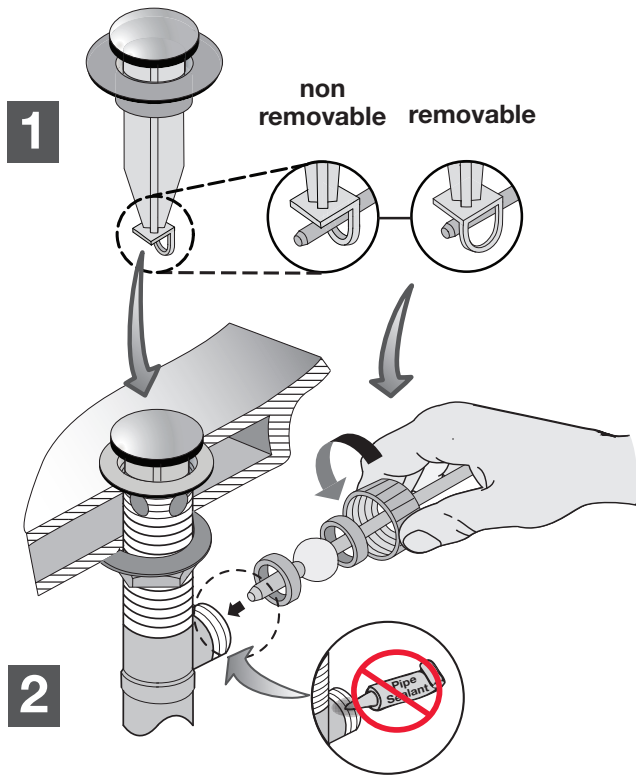
Step 4 Connect water supply lines



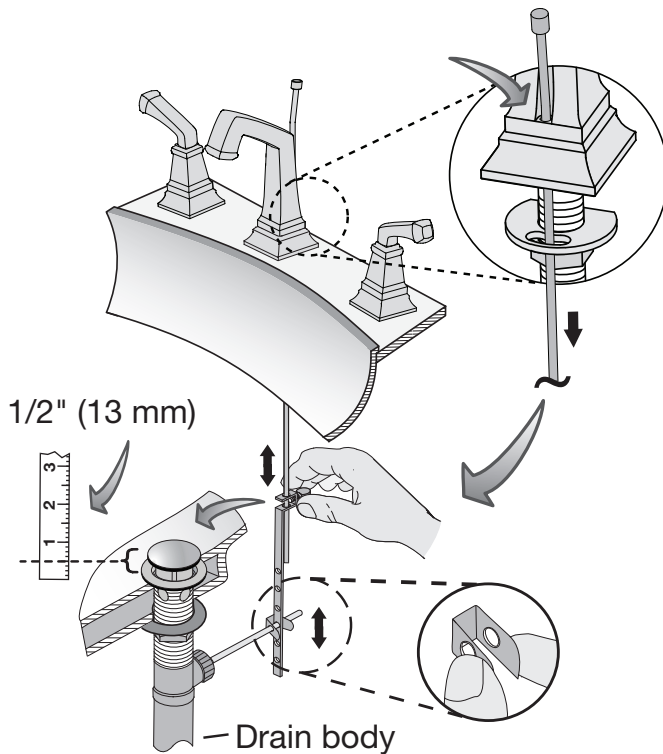
Step 5 Fasten drain body



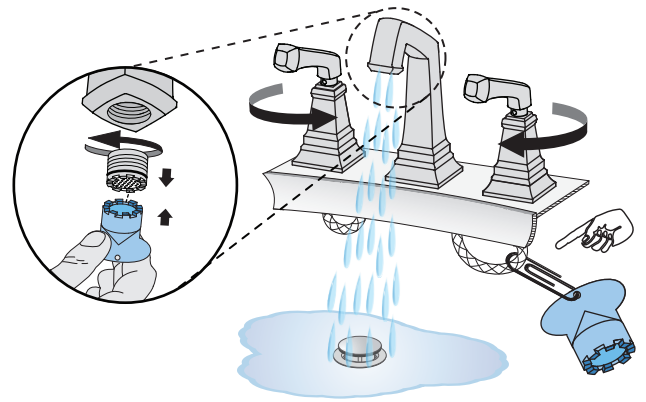
Step 6 Install stopper and pivot rod to drain



Step 7 Connect lift rod and adjust linkage



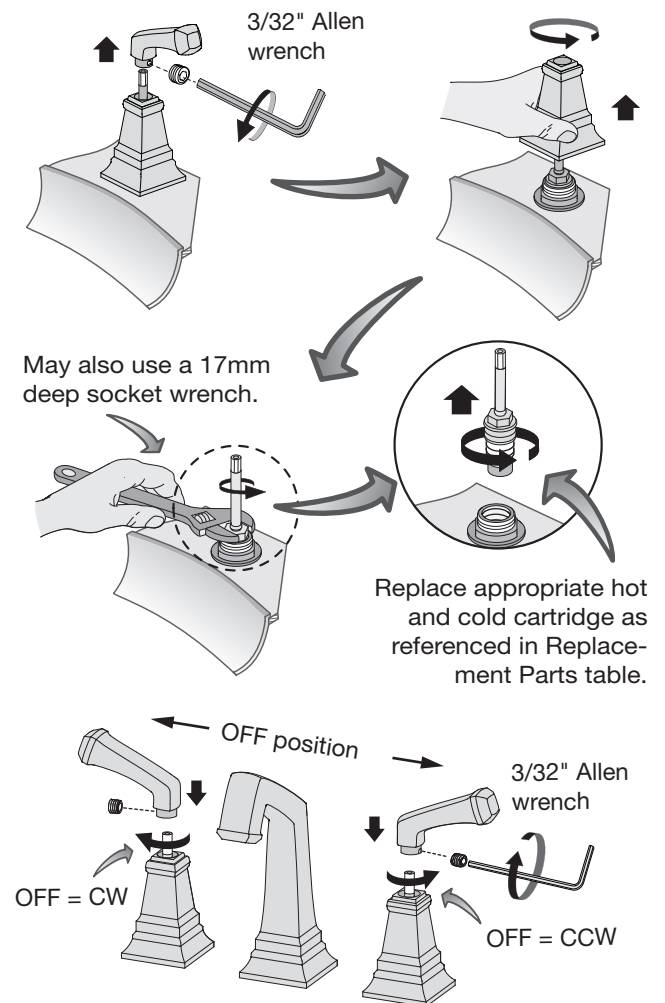
Step 8 Flush water supply lines



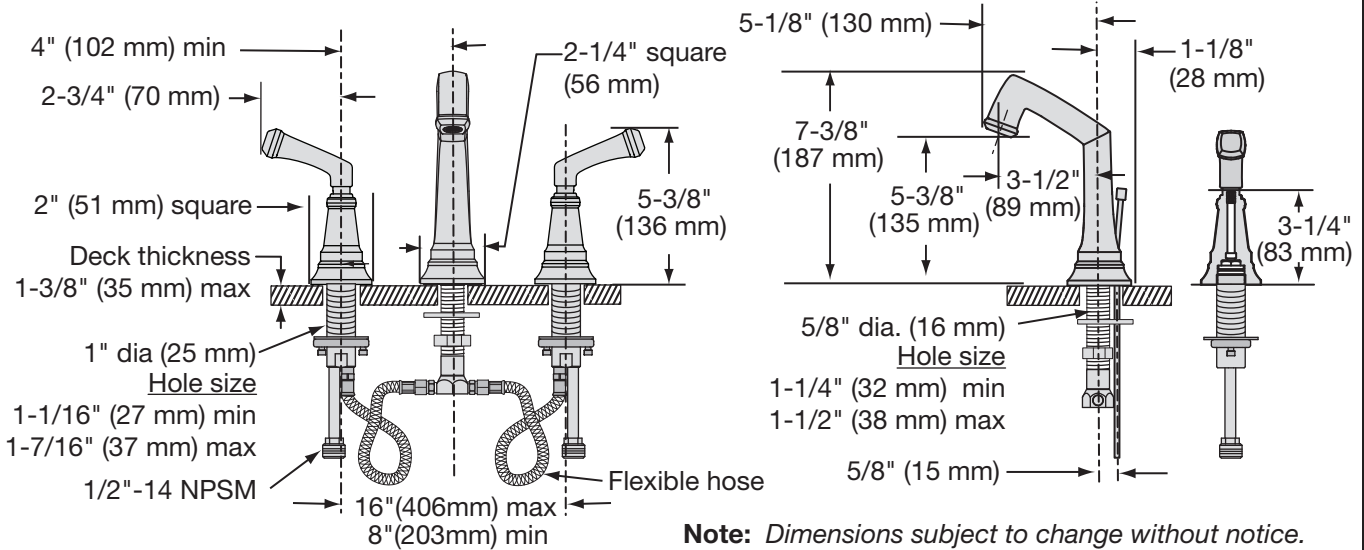
Care of faucet finish

Clean finish area by using mild soap and water or non-abrasive cleaner and then rinse immediately. A non-abrasive wax may be used to preserve finish area.

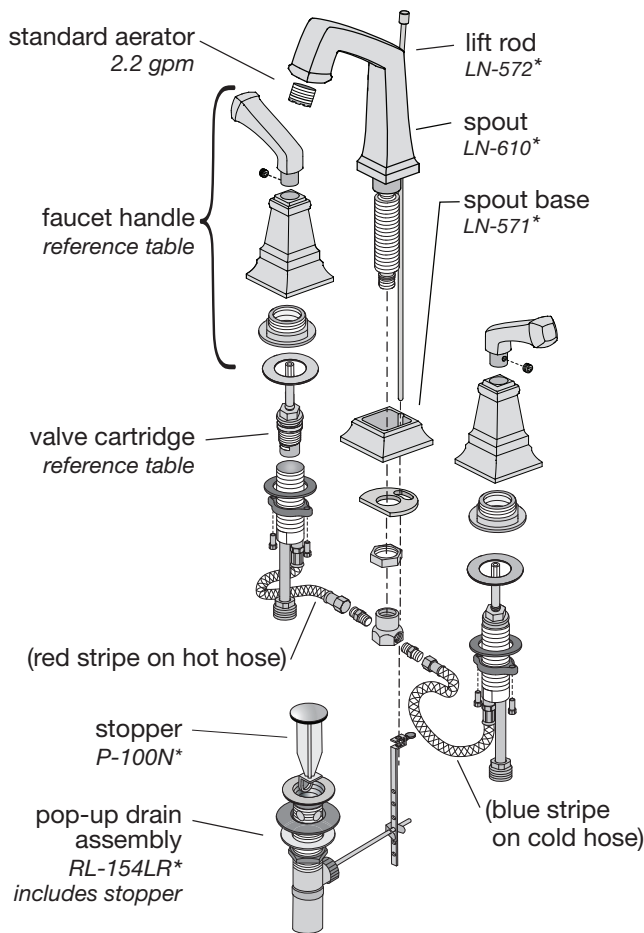
Valve cartridge replacement



Dimensions Oxford Two Handle Widespread Lavatory Faucet, SLW-4212



Parts Assembly Oxford Two Handle Widespread Lavatory Faucet, SLW-4212



Replacement Parts

Part Number	Item
WSF-422L-KIT* includes two handle assemblies	handle screw collar fastener gasket
KN-114E (hot) OFF = CW KN-113E (cold) OFF = CCW	KN-113E identified by groove valve cartridge
LN-333-KIT FLR-102-1.5-KIT LN-742-KIT	aerator flow rates 2.2 gpm (8.3 L/min) 1.5 gpm (5.7 L/min) 1.0 gpm (3.8 L/min) aerator removal key included

* Note: When ordering replacement parts for faucets with an optional decorative finish, append appropriate three letter finish suffix code to part numbers marked with an asterisk (*).

Ordering replacement parts:

Call Symmons customer service at (800) 796-6667, (781) 848-2250 M-F 7:30 am - 7:00 pm EST or check our website at www.symmons.com for a list of Symmons distributors.