

**OSWALD
59" ACRYLIC
OVAL TUB**

Cat. No.
ATOVN59EIG-XX



L: 59"
W: 31-1/2"
H: 23-3/4"

Water depth: 18-5/8" to top of tub
Water depth: 15-1/4" to overflow
Overflow hole diameter: 3-3/4"
Center drain to back of rim: 15-3/4"

The following is recommended for
ATOVN59E tubs without faucet holes:
•Freestanding filler: part#7932, 7952, or 7918
(Does not need bath supplies)



For easier installation we
recommend use of 5598-ITD
Easy Install Rough In Kit

Gallon Capacity: 47
Shipping Weight: 137 lbs.
Empty Weight: 77 lbs.
Filled Weight: 470 lbs.

Features:

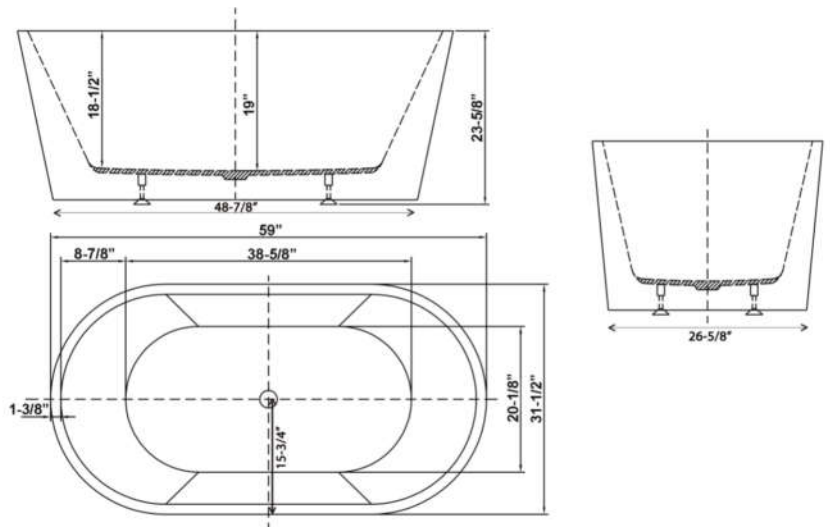
- ▶ Interior and exterior walls acrylic sheets
- ▶ Overflow slot with integrated drain
- ▶ Drain included
- ▶ Drain and overflow covers included (available in 7 finishes)
- ▶ Rim is 1-1/2" wide
- ▶ No faucet holes
- ▶ Includes built-in adjusters
- ▶ Tub is thoroughly inspected before shipment
- ▶ Option to add foam insulation between tub walls available



Finishes:

- BN** Brushed Nickel
- CP** Polished Chrome
- ORB** Oil Rubbed Bronze
- PB** Polished Brass
- PN** Polished Nickel
- WT** White
- MB** Matte Black

Custom Colors Available (inside of tub is always white enamel):
Painted bathtubs are considered "special order" and are not returnable
\$160 Bisque or Black \$250 Designer Color



Dimensions of fixture are nominal and specifications subject to change without notice.