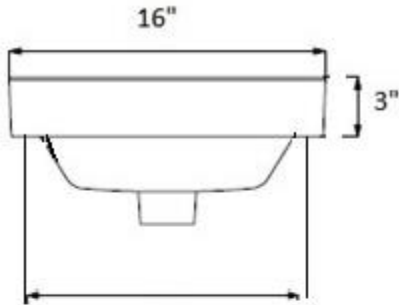


# Strom Plumbing

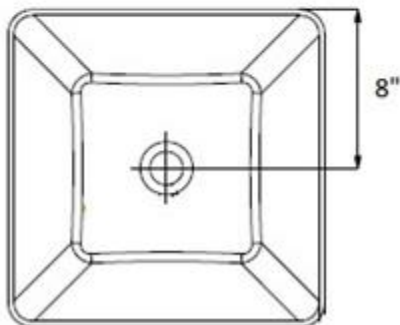
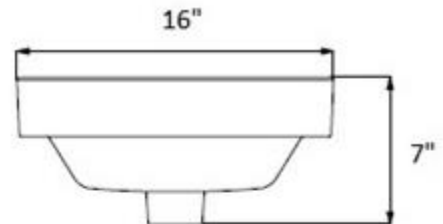


Ph: (916) 638-2722 / Fax: (916) 638-2725

## Installation Information - Item #P1180 Semi Drop-in Sink



12 1/2" X 12 1/2"  
HOLE TEMPLATE



**This sink does not have an overflow. Use with our P0661 sink drain.**

**SIGN OF THE CRAB, LLC**